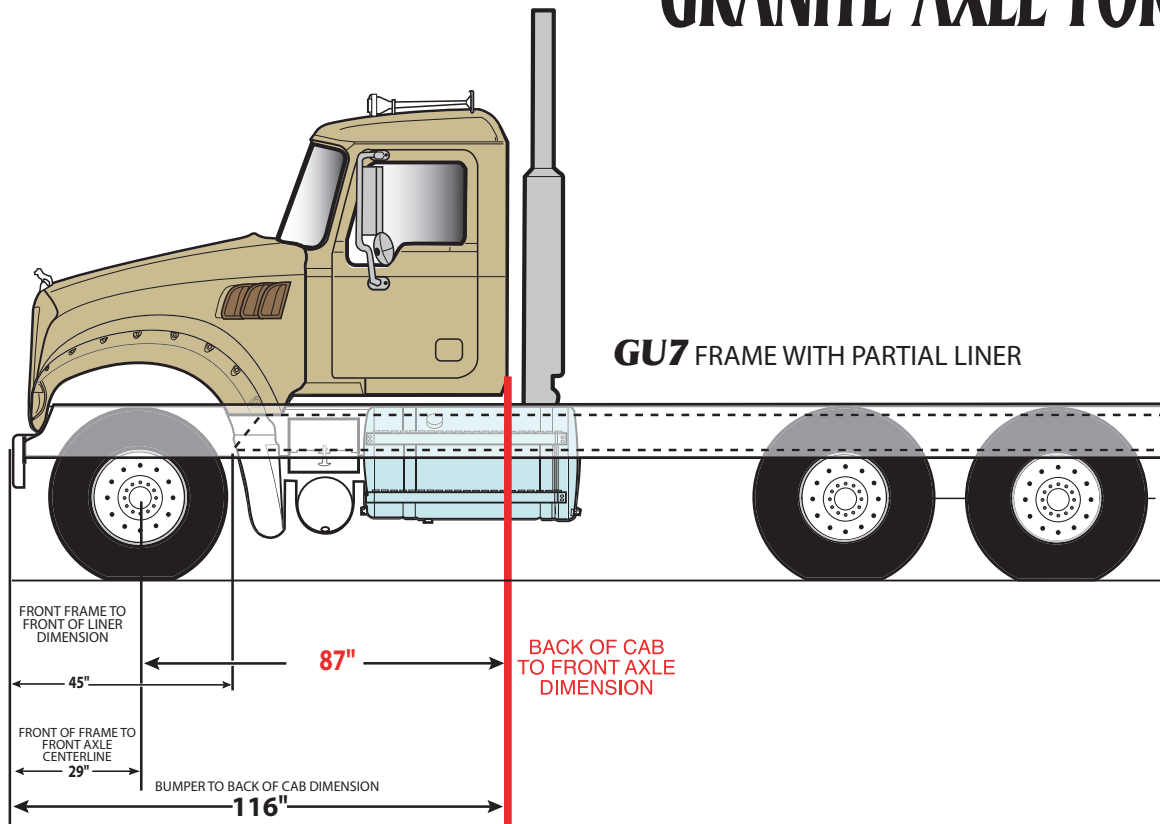


GRANITE AXLE FORWARD



FRAME SPECIFICATIONS

Granite Axle Forward

Main Rail Frame Section (in)	Inside Reinforcement Liner Section (in)	Outside Reinforcement Section (in)	Main Rail	IC	OC	Section Modulus (in ³)	RBM* (lbs - in)	Area (in ²)	Weight (Lb/in of length)	Outside Frame Width at Rear Axle (in)	Inside Frame Width (in)
11.81" x 3.54" x 0.28" †	n/a	n/a	X			15.7	1,880,000	4.94	1.38	33.46	32.91
11.81" x 3.54" x 0.32"	w/o	n/a	X			17.7	2,120,000	5.62	1.56	33.54	32.91
	11.10" x 2.93" x 0.20"	n/a	X	X		26.9	3,230,000	8.74	2.45	33.54	32.52
11.81" x 3.54" x 0.37"	w/o	w/o	X			20.6	2,470,000	6.62	1.84	33.66	32.91
	10.98" x 2.99" x 0.20"	w/o	X	X		29.8	3,580,000	9.73	2.73	33.66	32.52
	10.98" x 2.99" x 0.20"	12.56" x 3.86" x 0.32"	X	X	X	47.4	5,688,000	15.75	4.41	34.29	32.52
11.81" x 3.54" x 0.437"	w/o	n/a	X			23.5	2,820,000	6.62	2.12	33.39	32.52
	10.87" x 3.05" x 0.20"	n/a	X	X		32.7	3,920,000	10.77	3.01	33.39	32.13
11.81" x 4.13" x 0.437"	w/o	n/a	X			26.3	3,160,000	8.12	2.27	33.39	32.52
	10.87" x 3.05" x 0.20"	n/a	X	X		35.5	4,260,000	11.28	3.16	33.39	32.13

* RBM based on 120ksi yield strength material

† Available on GU712 and GU812 models only



A SALES ENGINEERING PUBLICATION

©2008 Mack Trucks, Inc.

Mack Trucks, Inc., Allentown, Pennsylvania

The information in this brochure was accurate as known as of the date of the publication. Illustrations may not be representative of current product. Mack Trucks, Inc. reserves the right to make changes in specifications, equipment or design, or to discontinue models or options without notice at any time.

FRA 016 GU7 FRAME BROCHURE 02/15/2008_09B

Printed in U.S.A.